

**WHEELER/REX 6790
(N100A)**

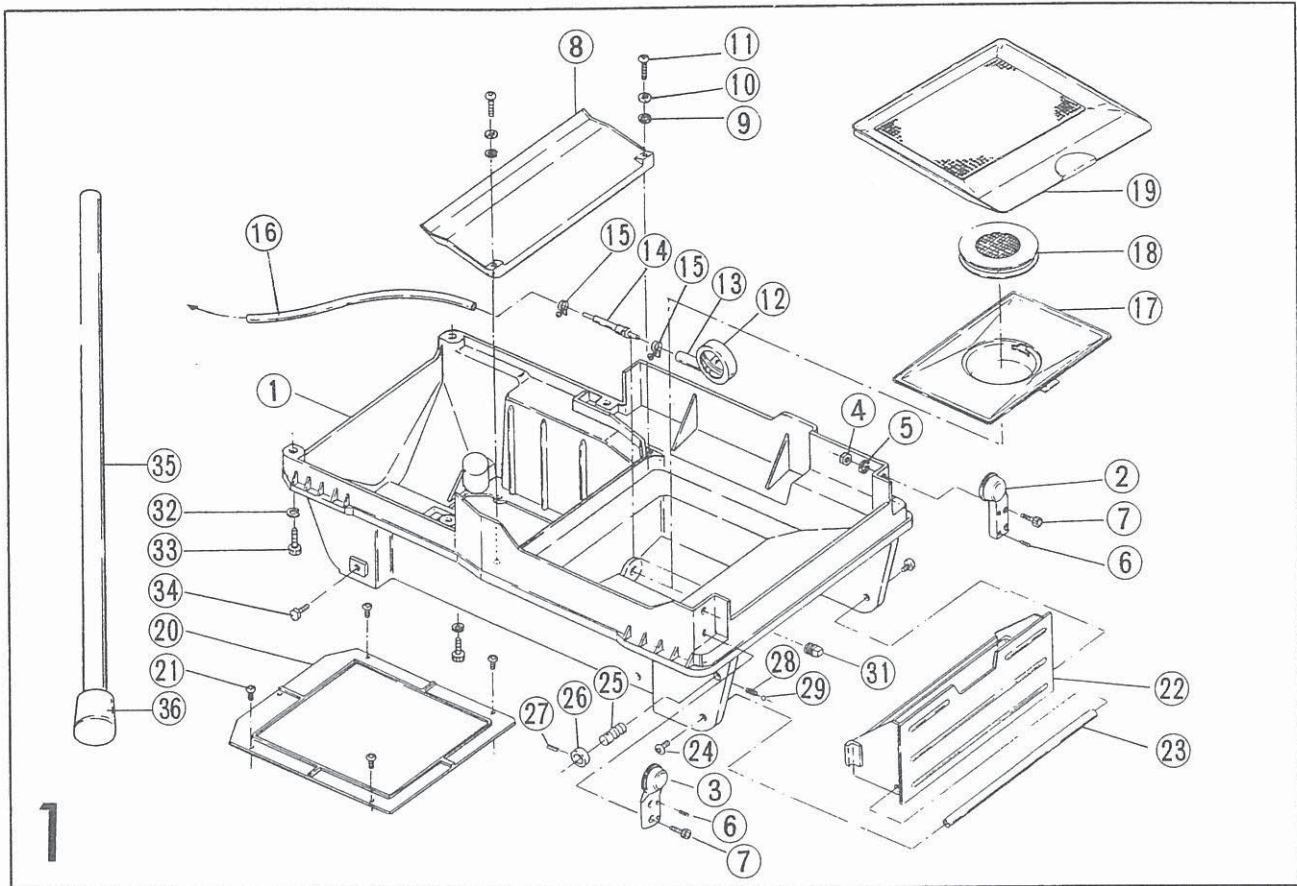
Parts List

Ref. No. 199107



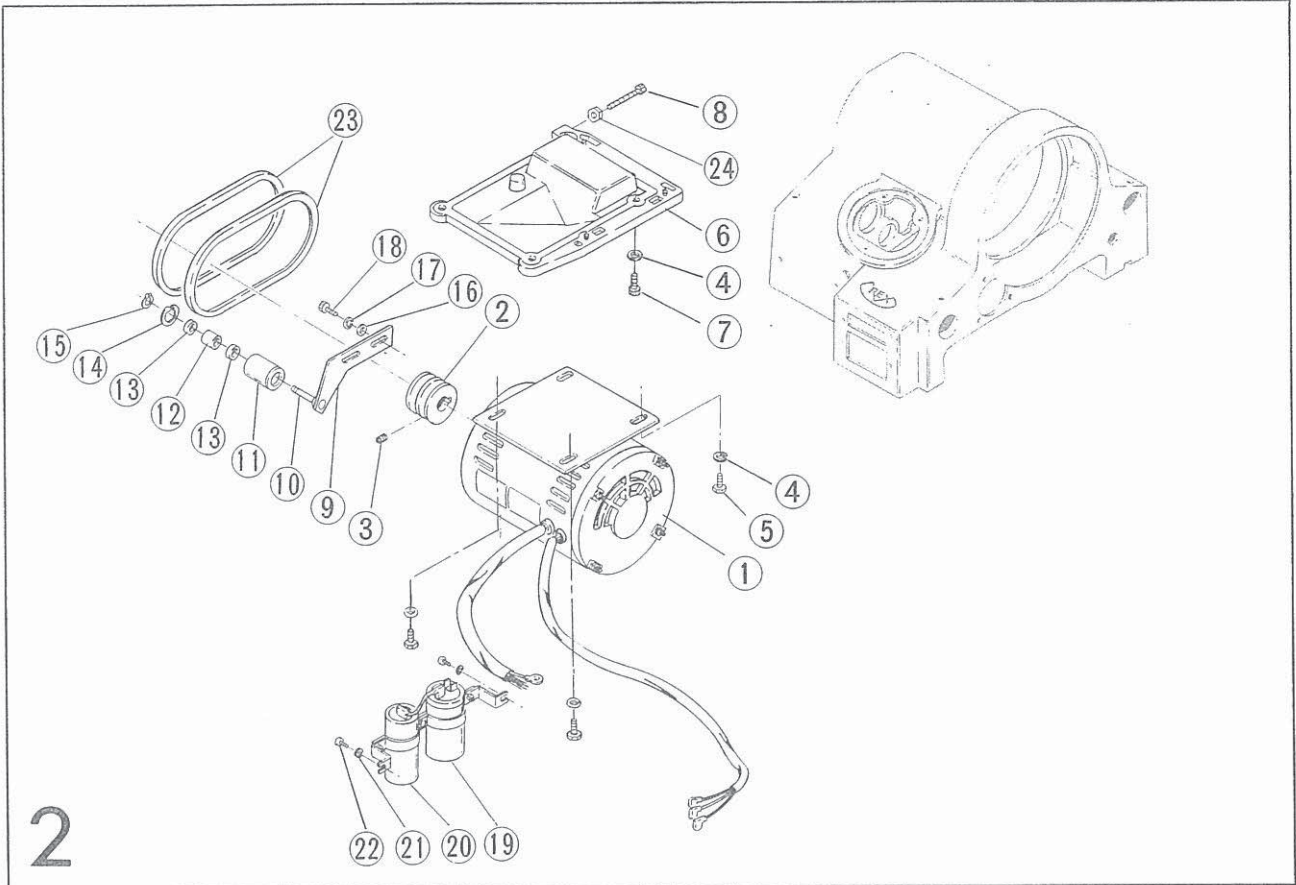
REX Industries Co.,Ltd.

WHEELER/REX 6790 (N100A) (Base)



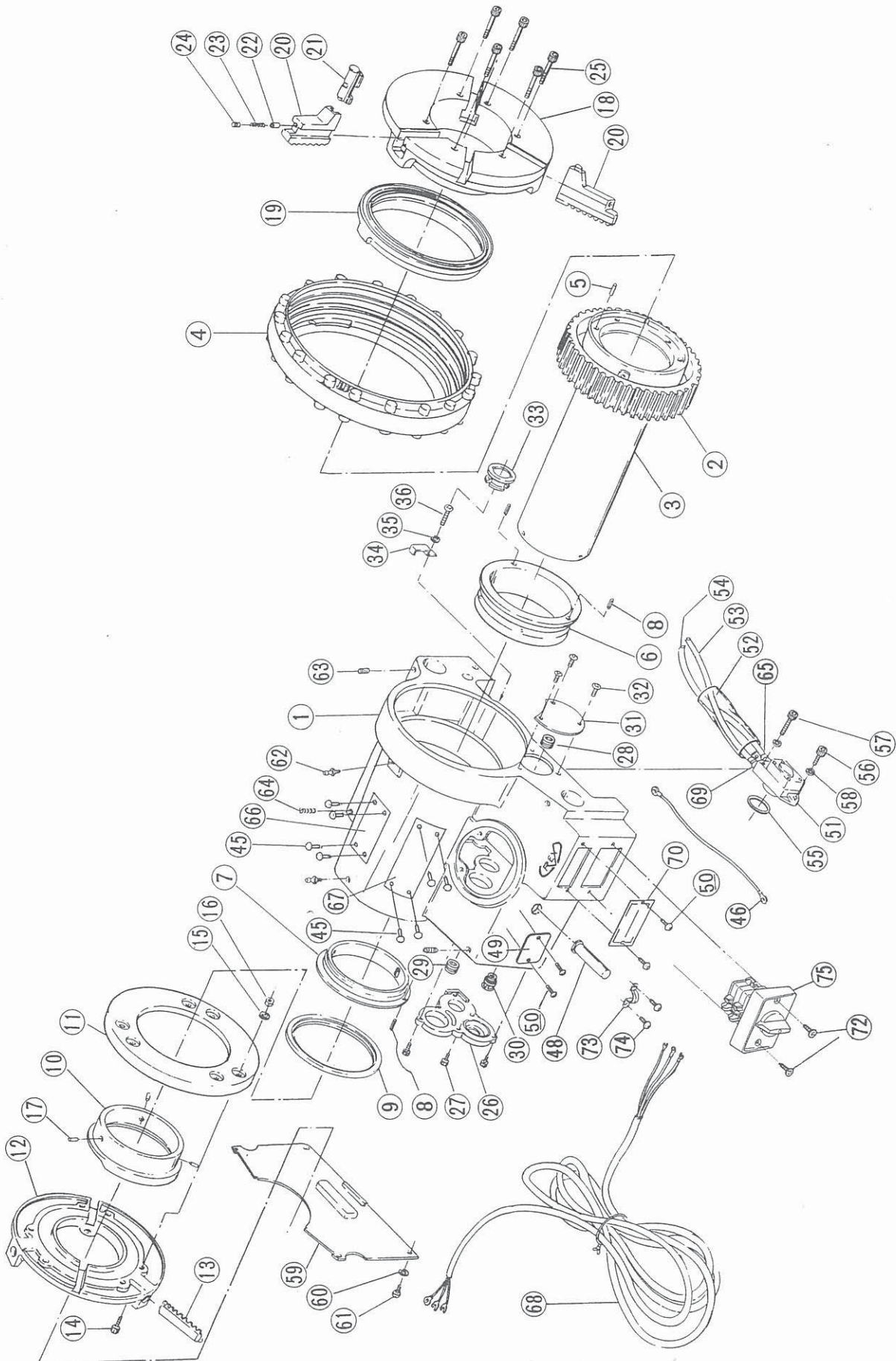
| No. | Part No. (Wheeler) | Part Name | Set | Part No. (REX) | |
|-----|--------------------|------------------------------------|-----|----------------|--|
| 1 | 6 0 3 5 0 0 | Base | 1 | J 0 0 1 | |
| 2 | 6 0 3 5 0 1 | Support (Right) | 1 | J 0 0 2 | |
| 3 | 6 0 3 5 0 2 | Support (Left) | 1 | J 0 0 3 | |
| 4 | 6 0 0 3 2 8 | Nut (M8) | 4 | W C 0 8 | |
| 5 | 6 0 0 1 3 0 | Spring washer ($\phi 8$) | 4 | W G 0 8 | |
| 6 | 6 0 0 3 4 4 | Roll pin ($\phi 6 \times 28$) | 4 | W L 6 5 | |
| 7 | 6 0 3 5 0 3 | Torx socket head cap screw (M8x25) | 4 | W 0 8 3 | |
| 8 | 6 0 3 5 0 4 | Base cover | 1 | J 0 0 6 | |
| 9 | 6 0 0 2 4 8 | Washer ($\phi 5$) | 2 | W 1 5 2 | |
| 10 | 6 0 0 1 2 4 | Spring washer ($\phi 5$) | 2 | W G 0 5 | |
| 11 | 6 0 0 6 4 9 | Round head machine screw (M5x25) | 2 | W 2 5 5 | |
| 12 | 6 0 0 7 3 1 | Strainer | 1 | N 0 4 8 | Set Tapping screw (M5x10) 6090 |
| 13 | 6 0 3 5 0 5 | Oil intake line suction tube (A)- | 1 | 0410-65 | |
| 14 | 6 0 3 5 0 6 | Nipple | 1 | J 0 1 5 | |
| 15 | 6 0 0 2 1 3 | Pipe band | 2 | Z J 5 0 | 6090, 6190, 6390, 6490, 6590 |
| 16 | 6 0 3 5 5 0 | Oil intake line suction tube | | 0410-700 | |
| 17 | 6 0 3 5 0 7 | Tank upper cover | 1 | J 0 0 4 | |
| 18 | 6 0 3 5 0 8 | Upper cover strainer cap | 1 | J 0 0 5 | |
| 19 | 6 0 3 5 0 9 | Scrap receiver | 1 | J 0 0 7 | |
| 20 | 6 0 3 5 1 0 | Bottom cover | 1 | J 0 0 8 | |
| 21 | 6 0 0 3 2 9 | Round head machine screw (M5x8) | 4 | W 2 5 1 | |
| 22 | 6 0 3 5 1 1 | Built-in tool box | 1 | J 0 1 0 | |
| 23 | 6 0 3 5 1 2 | Tool box shaft | 1 | J 0 1 1 | |
| 24 | 6 0 3 5 1 3 | Truss screw (M8x20) | 2 | W 5 8 5 | |
| 25 | 6 0 3 5 1 4 | Stopper pin A | 1 | J 0 1 2 | |
| 26 | 6 0 3 5 1 5 | Stopper pin B | 1 | J 0 1 3 | |
| 27 | 6 0 3 5 1 6 | Roll pin ($\phi 4 \times 20$) | 1 | W L 4 6 | |
| 28 | 6 0 3 5 1 7 | Spring ($\phi 5 \times 12$) | 1 | 7 7 5 2 | |
| 29 | 6 0 0 3 4 6 | Steel ball ($\phi 5$) | 1 | W Q 0 5 | |
| 30 | | | | | |
| 31 | 6 0 0 1 8 3 | Drain plug | 1 | W A 4 6 | |
| 32 | 6 0 0 4 2 9 | Spring washer ($\phi 10$) | 4 | W G 1 0 | |
| 33 | 6 0 0 1 8 1 | Socket head cap screw (M10x40) | 4 | W G 0 4 | |
| 34 | 6 0 0 2 4 9 | Hexagon head cap screw (M10x30) | 4 | W 1 0 1 | |
| 35 | 6 0 3 5 1 9 | Pipe stand with leg cap | 4 | - | N121 + N125 6090, 6190, 6390, 6490, 6590 |
| 36 | 6 0 3 5 2 0 | Leg cap | 4 | N 1 2 5 | 6090, 6190, 6390, 6490, 6590 |
| 37 | | | | | |
| 38 | | | | | |
| 39 | | | | | |
| 40 | | | | | |

WHEELER/REX 6790 (N100A) (Motor)



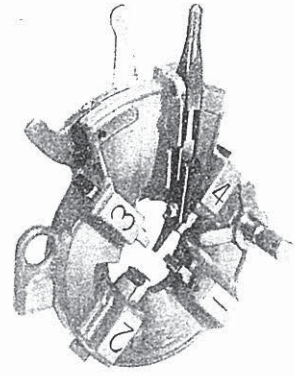
| No. | Part No. (Wheeler) | Part Name | Set | Part No. (REX) | | |
|-----|-----------------------|------------------------------------|-----|-------------------|---------------------|--|
| 1 | 6 0 3 5 2 1 | Condenser motor (1.0kw 120/240V) | 1 | J 0 3 0 T | included No.19 - 22 | |
| 2 | 6 0 3 5 2 2 | Motor pulley | 1 | 4 9 3 1 | | |
| 3 | 6 0 0 2 9 1 | Hex-socket set screw (M8×8) | 1 | W 7 8 A | | |
| 4 | 6 0 3 5 2 3 | Spring washer (φ10) | 8 | W G 1 0 | | |
| 5 | 6 0 0 4 7 3 | Hexagon head cap screw (M10×20) | 4 | W 1 8 1 | | |
| 6 | 6 0 3 5 2 4 | Motor holder | 1 | J 0 2 0 | | |
| 7 | 6 0 3 5 2 5 | Socket head cap screw (M10×25) | 4 | W 0 0 2 | | |
| 8 | 6 0 0 1 9 3 | Socket head cap screw (M8×60) | 1 | W 0 8 C | | |
| 9 | | Tension pulley adjustment mounting | 1 | J 0 2 3 | 603526 Set (J019) | |
| 10 | | Tension pulley adjustment pin | 1 | J 0 2 4 | | |
| 11 | 6 0 3 5 2 7 | Tension pulley | 1 | J 0 2 5 | | OJHP1S Tension pulley complete set |
| 12 | 6 0 3 5 2 8 | Tension pulley bearing collar | 1 | J 0 2 6 | | |
| 13 | 6 0 3 5 2 9 | Bearing (#6001ZZ) | 2 | J 3 0 0 | | |
| 14 | 6 0 3 5 3 0 | Snap ring (in side φ28) | 1 | W W A 2 | | |
| 15 | 6 0 3 5 3 1 | Snap ring (out side φ12) | 1 | W W 1 2 | | |
| 16 | 6 0 0 2 4 5 | Washer (φ8) | 2 | W 1 8 4 | | |
| 17 | 6 0 0 1 3 0 | Spring washer (φ8) | 2 | W G 0 8 | | |
| 18 | 6 0 3 5 3 2 | Socket head cap screw (M8×20) | 2 | W 0 8 2 | | |
| 19 | 6 0 3 5 6 | Driver condenser | 1 | 4 9 C S T | Condenser set | |
| 20 | 6 0 3 5 5 | Starter condenser | 1 | | | |
| 21 | 6 0 0 2 4 8 | Washer (φ5) | 2 | | | W 1 5 2 |
| 22 | 6 0 0 3 2 9 | Round head machine screw (M5×8) | 2 | | | W 2 5 1 |
| 23 | 6 0 3 5 3 3 | V-belt (A-24) | 2 | Z 8 2 4 | | |
| 24 | 6 0 0 3 2 8 | Nut (M8) | 1 | W 0 0 8 | | |
| 25 | | | | | | |
| 26 | | | | | | |
| 27 | | | | | | |
| 28 | | | | | | |
| 29 | | | | | | |
| 30 | | | | | | |
| 31 | | | | | | |
| 32 | | | | | | |
| 33 | | | | | | |
| 34 | | | | | | |
| 35 | | | | | | |
| 36 | | | | | | |
| 37 | | | | | | |
| 38 | | | | | | |
| 39 | | | | | | |
| 40 | | | | | | |

WHEELER/REX 6790 (N100A) (Main shaft stock)

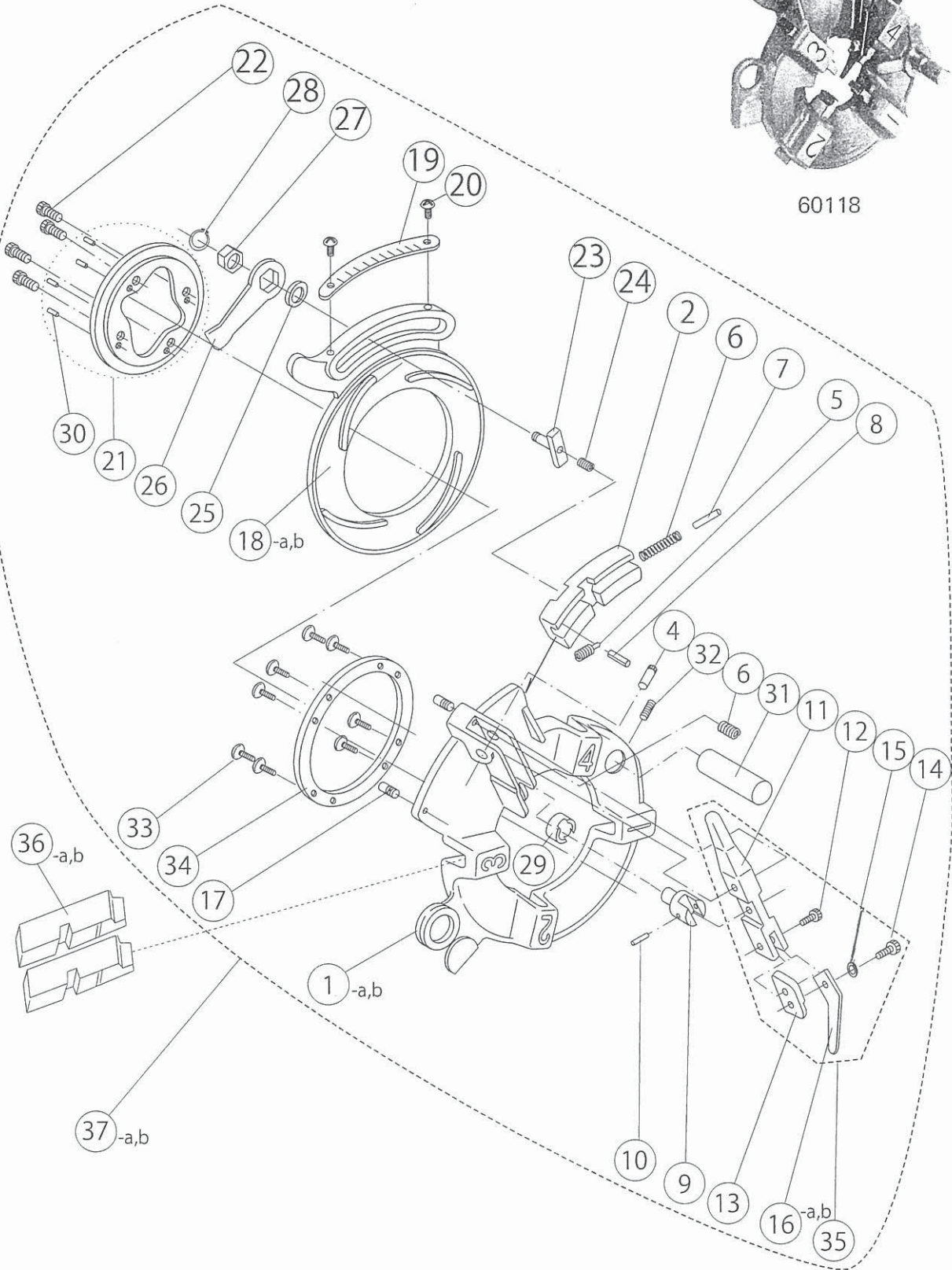


| No. | Part No. (Wheeler) | Part Name | Set | Part No. (REX) | |
|-----|-----------------------|--|-----|-------------------|--|
| 1 | 6 0 3 5 3 4 | Head stock | 1 | J 0 4 8 | |
| 2 | 6 0 0 2 9 0 | Main shaft gear | 1 | J 0 3 6 | } Set (02JJ) |
| 3 | | Main shaft | 1 | J 0 3 8 | |
| 4 | | Hand wheel | 1 | J 7 0 3 | |
| 5 | 6 0 3 5 3 8 | Straight pin (φ8×20) | 1 | W N 0 8 | 6490 |
| 6 | 6 0 7 0 0 5 | Front main shaft bearing | 1 | A 0 0 5 | 6490 |
| 7 | 6 0 0 8 6 7 | Rear main shaft bearing | 1 | J 0 3 9 | 6490 |
| 8 | 6 0 0 1 2 7 | Roll pin (φ4×10) | 4 | W L 4 1 | |
| 9 | 6 0 7 0 0 8 | Thrust ring | 1 | A 0 0 8 | 6490 |
| 10 | 6 0 7 0 0 7 | Rear scroll | 1 | J 0 S 3 | } 607006 Rear chuck complete set (A006) 6490 |
| 11 | 6 0 5 0 1 4 | Rear chuck cover | 1 | J 0 S 2 | |
| 12 | 6 0 5 0 1 2 | Rear chuck receptacle | 1 | J 0 S 1 | |
| 13 | 6 0 5 0 1 3 | Rear chuck jaw | 3 | A 0 S S | |
| 14 | 6 0 0 1 3 1 | Socket head cap screw (M6×16) | 6 | W 0 6 2 | |
| 15 | 6 0 0 1 3 2 | Spring washer (φ6) | 6 | W G 0 6 | |
| 16 | 6 0 0 1 7 7 | Nut (M6) | 6 | W D 0 6 | |
| 17 | 6 0 0 1 7 5 | Roll pin (φ 6×18) | 3 | W L 6 3 | |
| 18 | 6 0 3 5 3 9 | Chuck body | 1 | J H 0 0 | } 603542 Chuck complete set (RT-RT) (J051) } Chuck jaw set 603541 (JICJS) } 60307 Chuck jaw insert set (A0RT) 6490 |
| 19 | 6 0 3 5 4 0 | Scroll | 1 | J S 0 0 | |
| 20 | 6 0 3 5 4 1 | Chuck jaw | 3 | J I C J S | |
| 21 | | Chuck jaw insert | 3 | | |
| 22 | | Spring retainer | 3 | | |
| 23 | | Spring | 3 | | |
| 24 | | Set screw | 6 | | |
| 25 | 6 0 3 5 4 3 | Socket head cap screw (M7× 54) | 6 | W 0 7 A | |
| 26 | 6 0 3 5 4 4 | Gear case cover | 1 | J 0 4 0 | |
| 27 | 6 0 3 5 4 5 | Socket head cap screw (M5×18) | 6 | W 0 5 5 | |
| 28 | 6 0 0 9 1 1 | Hex-socket pipe plug (PT½) | 1 | W A 4 3 | |
| 29 | 6 0 0 6 2 3 | Hex-socket pipe plug (PT¾) | 1 | W A 4 4 | |
| 30 | 6 0 3 5 4 6 | Oil gauge (N-1) | 1 | J 3 2 0 | |
| 31 | 6 0 3 5 4 7 | Window cap | 1 | J 0 4 2 | |
| 32 | 6 0 0 1 7 9 | Round head machine screw (M5×10) | 3 | W 2 5 2 | |
| 33 | 6 0 4 0 4 0 | Hose guide | 1 | 4 0 4 0 | 6390 |
| 34 | 6 0 4 0 8 6 | Hose band | 1 | 4 0 8 6 | 6390 |
| 35 | 6 0 0 1 3 2 | Spring washer (φ6) | 1 | W G 0 6 | 6390 |
| 36 | 6 0 0 2 0 4 | Round head machine screw (M6×10) | 1 | W 2 6 1 | 6390 |
| 45 | 6 0 0 1 4 3 | Rivet (#0×5) | 4 | W N 3 2 | |
| 46 | 6 0 0 9 4 2 | Earth | 1 | #0035 | |
| 47 | | | | | |
| 48 | 6 0 0 9 4 3 | Cord bush | 1 | 7 0 2 1 | 6090,6390,6590,6890 |
| 49 | 6 0 0 9 4 4 | Name plate | 1 | J 0 4 9 | |
| 50 | 6 0 0 6 2 1 | Rivet (#4×5) | 2 | W N 3 4 | |
| 51 | 6 0 4 0 2 5 | Gear pump | 1 | 4 0 2 5 | |
| 52 | 6 0 3 5 4 9 | Vinyl tube 100 (ℓ) | 1 | - | |
| 53 | 6 0 3 5 5 0 | Oil intake line suction tube (B) 700 (ℓ) | 1 | 0 4 1 0 - 7 0 0 | |
| 54 | 6 0 3 5 5 1 | Oil feed line tube 530 (ℓ) | 1 | 0 4 1 0 - 5 3 0 | |
| 55 | 6 0 3 5 5 2 | Gear pump gasket | 1 | J 0 4 7 | |
| 56 | 6 0 0 4 8 6 | Socket head cap screw (M6×20) | 1 | W 0 6 3 | |
| 57 | 6 0 0 8 1 3 | Socket head cap screw (M6×30) | 1 | W 0 6 5 | |
| 58 | 6 0 0 1 3 2 | Spring washer (φ6) | 2 | W G 6 A | |
| 59 | 6 0 3 5 5 3 | Rear cover | 1 | J 0 4 1 | |
| 60 | 6 0 0 2 4 8 | Washer (φ5) | 4 | W 1 5 2 | |
| 61 | 6 0 0 1 7 9 | Round head machine screw (M5×10) | 4 | W 2 5 2 | |
| 62 | 6 0 0 1 9 8 | Grease nipple (M6) | 2 | J 0 0 9 | |
| 63 | 6 0 3 5 5 4 | Hex-socket set screw (cone M8×22) | 4 | W 6 8 6 | |
| 64 | 6 0 3 5 5 5 | Hex-socket set screw (half dog M8×25) | 1 | W 8 8 7 | |
| 65 | 6 0 0 2 1 3 | Pipe band (10mm) | 2 | Z J 5 0 | |
| 66 | 6 0 3 5 5 7 | Warning plate A | 1 | L 0 9 8 | |
| 67 | 6 0 3 5 5 8 | Warning plate B | 1 | L 0 9 9 | |
| 68 | 6 0 0 9 4 5 | Power cord | 1 | Z 9 9 2 | |
| 69 | 6 0 1 0 3 5 | Joint | 2 | 1 0 3 5 | |
| 70 | 6 0 9 7 0 7 | Cam switch warning plate | 1 | J 0 9 9 | |
| 71 | | | | | |
| 72 | 6 0 0 9 3 7 | Oval head machine screw (M4×10) | 2 | W 4 A 3 | |
| 73 | 6 0 0 9 4 1 | Binder C-15 | 1 | 7 0 9 8 | 6090,6390,6590,6890 |
| 74 | 6 0 0 1 9 1 | Round head machine screw (M4×10) | 2 | W 2 4 2 | 6390 |
| 75 | 6 0 0 9 5 9 | Cam switch | 1 | F 0 6 5 | 6090, 6390, 6590, 6890 |
| 76 | 6 0 0 9 6 0 | Cam switch plate | 1 | F 0 6 6 | 6090, 6390, 6590, 6890 |
| 77 | | | | | |
| 78 | | | | | |
| 79 | | | | | |
| 80 | | | | | |
| 81 | | | | | |
| 82 | | | | | |

WHEELER/REX 6790 (N100A) (Self-opening die head 1/2~2")

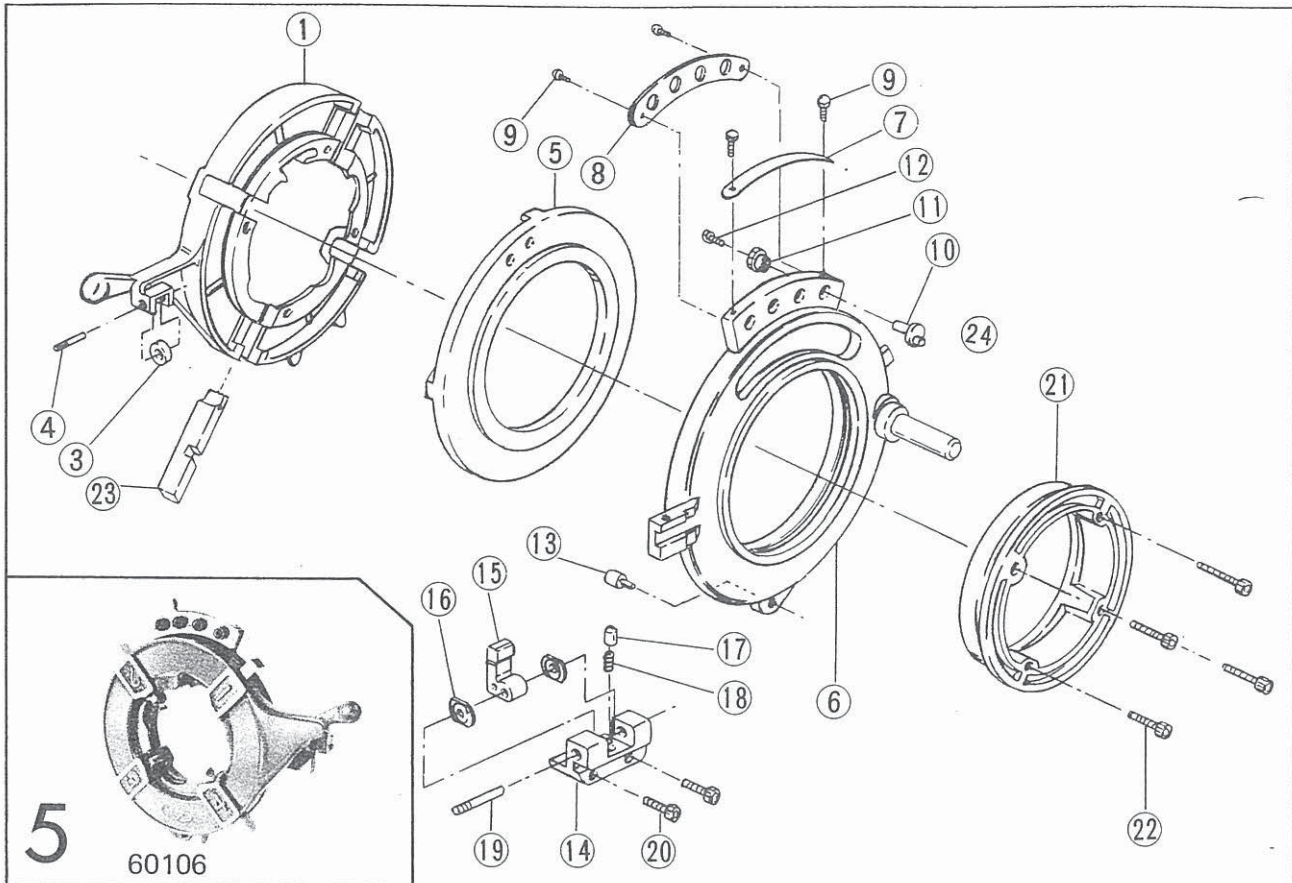


60118



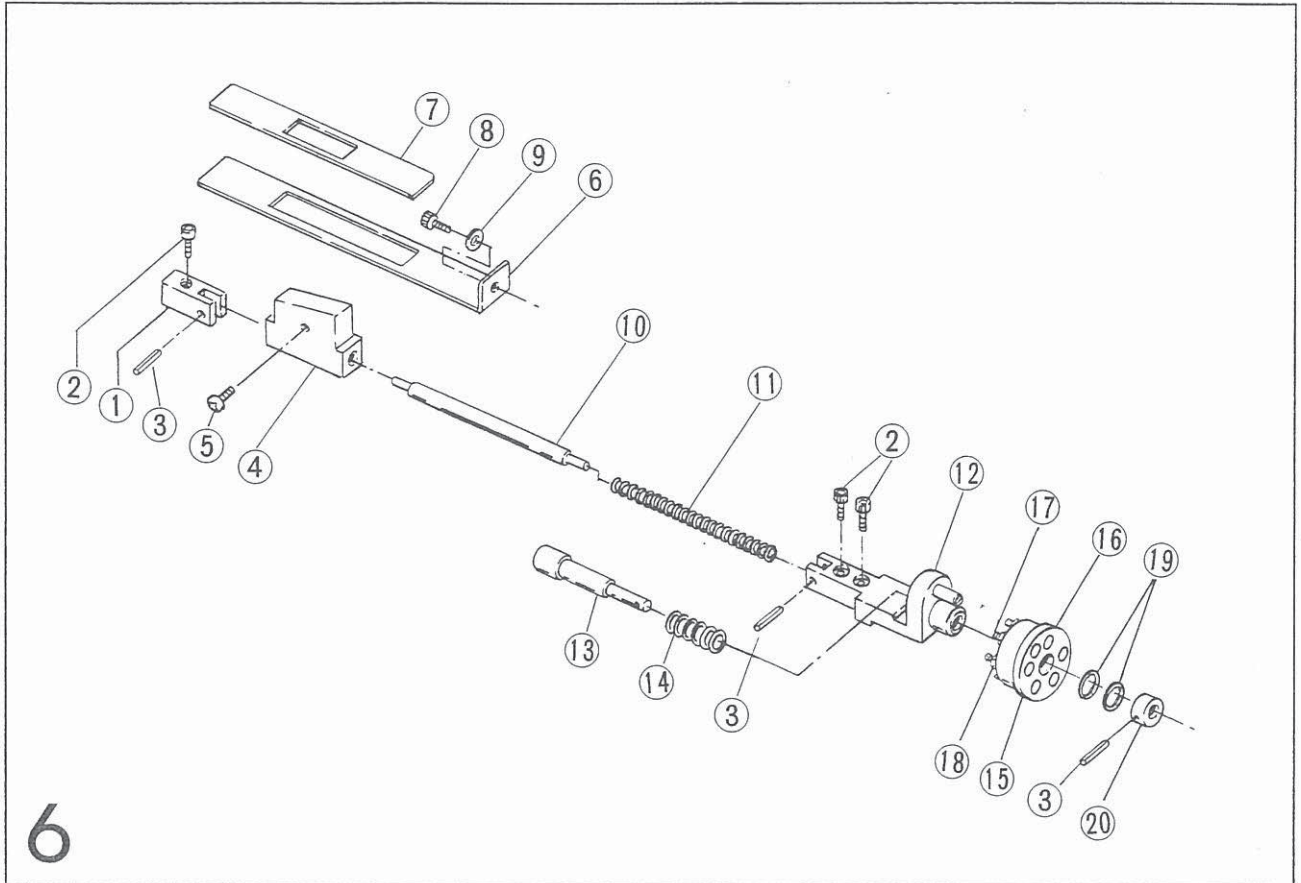
| No. | Part No. (Wheeler) | Part Name | Set | Part No. (REX) | |
|------|-----------------------|---|------|-------------------|---|
| 1-a | 6 0 0 1 5 0 | Die Head Body (1/2-2" New type) | 1 | N750 | |
| 1-b | 6 0 0 7 7 9 | Die Head Body (1/2-2" Old type) | 1 | N701 | |
| 2 | 6 0 0 7 8 0 | Opening Block | 1 | N704 | |
| 3 | 6 0 0 6 8 8 | Open Block Spring | 1 | 7697 | |
| 4 | 6 0 0 7 8 1 | Open Lever Pin (A) | 1 | N714 | |
| 5 | 6 0 0 7 8 2 | Block Buffer Spring | 1 | N720 | |
| 6 | 6 0 0 7 8 3 | Open Lever Spring | 1 | N718C | |
| 7 | 6 0 6 5 1 7 | Open Block Spring Shaft | 1 | 7735C | |
| 8 | 6 0 0 1 1 7 | Roll Pin (φ6x16) | 1 | WL62 | |
| 9 | 6 0 0 7 8 5 | Auto-Open Pin | 1 | N709 | |
| 10 | 6 0 0 7 8 6 | Straight Pin (φ6x15) | 1 | N716 | |
| 11 | 6 0 0 7 8 7 | Auto-Open Link A | 1 | N711 | |
| 12 | 6 0 0 1 2 1 | Hex Socket Head Cap Screw (M8x16) | 1 | W081 | |
| 13 | 6 0 0 7 8 8 | Auto-Open Link | 1 | N732 | OLD REX#N712 |
| 14 | 6 0 0 1 2 3 | Hex Socket Head Cap Screw (M8x12) | 1 | W08T | |
| 15 | 6 0 0 2 4 5 | Flat Washer (M8x16x1.2) | 1 | W181 | |
| 16-a | 6 0 0 1 5 2 | Auto-Open Lever C (BSPT) | 1 | N713 | FOR REX#292810 |
| 16-b | 6 0 0 7 8 9 | Auto-Open Lever C (NPT) | 1 | N734 | OLD REX#N727 |
| 17 | 6 0 0 7 9 0 | Open Block Stop Screw | 2 | N717 | |
| 18-a | 6 0 0 1 2 0 | Cam Plate (1/2-2" New type) | 1 | N751 | Set up #N751 and transfer the inventory from 600791 to this |
| 18-b | 6 0 0 7 9 1 | Cam Plate (1/2-2" Old type) | 1 | N702 | 1/2-2 Old type. Discontinued in 2003. |
| 19 | 6 0 0 1 1 6 | Size Plate (BSPT / BSPP / NPT) | 1 | N731 | OLD REX#N721 |
| 20 | 6 0 0 6 6 8 | Truss Head machine Screw (M4x5) | 2 | W541 | |
| 21 | 6 0 0 7 9 3 | Retaining Ring with Die Notches | 1 | N703 | incl. 609787 (No. 30) Die Notch (G860) |
| 22 | 6 0 0 1 3 1 | Hex Socket Head Cap Screw (M6x16) | 4 | W062 | |
| 23 | 6 0 0 7 9 4 | Cam Plate Fixed Pin | 1 | N706 | |
| 24 | 6 0 0 7 9 5 | Cam Fix Shaft Spring | 1 | N722 | |
| 25 | 6 0 0 7 9 6 | Flat Washer (M12X26X2.3) | 1 | W106 | |
| 26 | 6 0 0 7 9 7 | Lever Nut | 1 | N705 | |
| 27 | 6 0 0 7 9 8 | Nut (M20) | 1 | N707 | |
| 28 | 6 0 0 1 3 4 | Snap Ring (External) (φ20) | 1 | WW20 | 1/2-2 Old type. Discontinued in 2003. |
| 29 | 6 0 0 1 5 4 | Auto Open Bush | 1 | N710 | |
| 30 | 6 0 9 7 8 7 | Die Notch | 4 | G860 | |
| 31 | 6 0 0 9 1 0 | Die Head Post | 1 | 7713 | |
| 32 | 6 0 6 7 1 9 | Hex Socket Set Screw (M6x6) | 1 | W661 | |
| 33 | 6 0 0 1 2 8 | Hex Socket Flat Head Screw (M4x10) | 8 | WA12 | |
| 34 | 6 0 9 8 1 2 | Die Head Ring (1/2-2" New type) | 1 | N728C | |
| 35 | 6 0 0 1 5 3 | Auto-Open Lever Set | 1set | - | No.21-23,32-34 |
| 36-a | 6 0 2 0 1 | Dies (1/2-3/4") | 1set | - | see Product List |
| 36-b | 6 0 2 0 9 | Dies (1-2") | 1set | - | see Product List |
| 37-a | - | Complete Uni-Auto Die Head (BSPT1/2-2") | 1pc. | - | see Product List |
| 37-b | 6 0 1 1 8 | Complete Uni-Auto Die Head (NPT1/2-2") | 1pc. | - | see Product List 6090 |
| 39 | | | | | |
| 40 | | | | | |
| 41 | | | | | |
| 42 | | | | | |
| 41 | | | | | |
| 42 | | | | | |
| 43 | | | | | |
| 44 | | | | | |
| 45 | | | | | |
| 46 | | | | | |
| 47 | | | | | |
| 48 | | | | | |
| 49 | | | | | |
| 50 | | | | | |
| 51 | | | | | |
| 52 | | | | | |
| 53 | | | | | |
| 54 | | | | | |
| 55 | | | | | |
| 56 | | | | | |
| 57 | | | | | |
| 58 | | | | | |
| 59 | | | | | |
| 60 | | | | | |
| 61 | | | | | |
| 62 | | | | | |
| 63 | | | | | |
| 64 | | | | | |
| 65 | | | | | |
| 66 | | | | | |
| 67 | | | | | |
| 68 | | | | | |
| 69 | | | | | |
| 70 | | | | | |

WHEELER/REX 6790 (N100A) (Profiling die head 2 1/2~4")



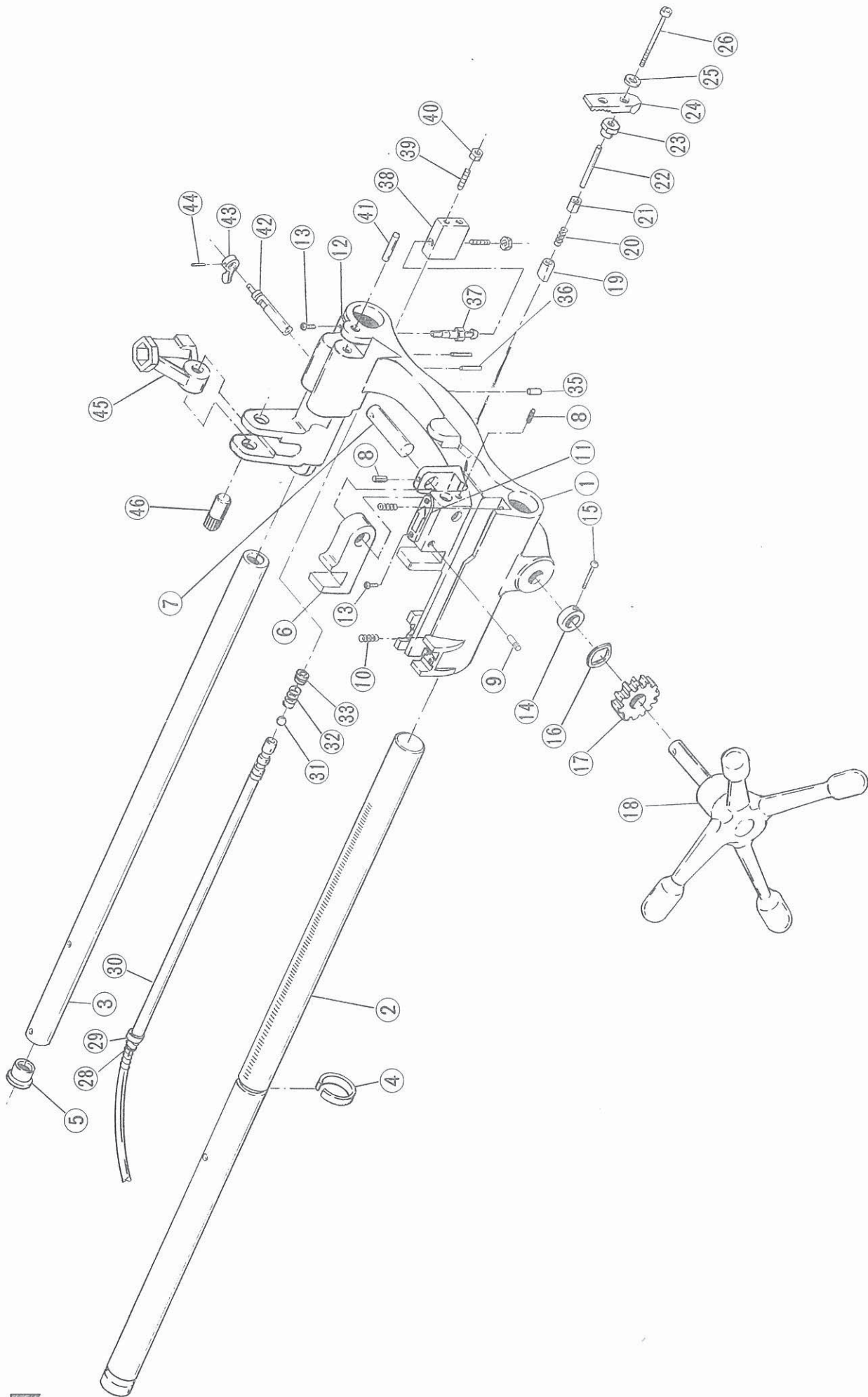
| No. | Part No. (Wheeler) | Part Name | Set | Part No. (REX) | |
|-----|--------------------|-------------------------------------|-------|----------------|----------------------------|
| 1 | 6 0 0 8 6 5 | Die head body (2 1/2~4) | 1 | J 1 0 3 | |
| 2 | | | | | |
| 3 | 6 0 3 5 6 0 | Die head roller | 1 | T 0 0 8 | 6590 |
| 4 | 6 0 3 4 1 2 | Die head roller pin | 1 | 3 4 1 2 | 6490,6590 |
| 5 | 6 0 3 5 6 1 | Cam plate (2 1/2~4) | 1 | J 0 6 7 | 6590 |
| 6 | 6 0 3 5 6 2 | Die head receiver plate (2 1/2~4) | 1 | J 1 0 0 | Set Die head post (J076) |
| 7 | 6 0 3 5 6 3 | Die head size plate (2 1/2~4) | 1 | J 1 0 2 | |
| 8 | 6 0 3 5 6 4 | Adjustment plate (2 1/2~4) | 1 | J 1 0 1 | |
| 9 | 6 0 0 6 2 1 | Rivet (#4×5) | 4 | WN34 | 6590 |
| 10 | 6 0 4 6 9 2 | Crank pin | 4 | 7 6 9 2 | 6390,6590 |
| 11 | 6 0 4 6 9 3 | Size adjustment knob | 4 | 7 6 9 3 | 6390,6590 |
| 12 | 6 0 0 4 7 9 | Socket head cap screw (M6×10) | 4 | W060 | 6590 |
| 13 | 6 0 3 5 6 5 | Die head position pin | 1 | J 0 7 7 | 6590 |
| 14 | 6 0 3 5 6 6 | Size setting lever holder (2 1/2~4) | 1 | J 0 7 3 | 6590 |
| 15 | 6 0 4 6 9 0 | Size setting lever | 1 | 7 6 9 0 | 6390,6590 |
| 16 | 6 0 4 7 4 3 | Size adjustment plate | 2 | 7 7 4 3 | 6390,6590 |
| 17 | 6 0 4 7 9 0 | Notch pin | 1 | 7 7 9 0 | 6390,6590 |
| 18 | 6 0 0 6 8 7 | Spring (φ5×12) | 1 | 7 7 5 2 | 6390,6590 |
| 19 | 6 0 4 7 4 2 | Retaining pin | 1 | 7 7 4 2 | 6390,6590 |
| 20 | 6 0 0 5 3 2 | Socket head cap screw (M8×20) | 2 | W082 | 6590 |
| 21 | 6 0 3 5 6 7 | Retaining ring (2 1/2~4) | 1 | J 0 6 8 | Set Dies notch (G860) 6590 |
| 22 | 6 0 0 2 3 8 | Socket head cap screw (M6×40) | 4 | W067 | 6490,6590 |
| 23 | 6 0 2 0 6 | Dies (2 1/2~4) | 1 set | 162360 | 6490,6590 |
| 24 | 6 0 3 6 8 7 | Die head post | 1 | J076 | |
| 25 | | | | | |
| 26 | 6 0 1 0 6 | Complete die head | 1 | 293050 | |
| 27 | | | | | |
| 28 | | | | | |
| 29 | | | | | |
| 30 | | | | | |
| 31 | | | | | |
| 32 | | | | | |
| 33 | | | | | |
| 34 | | | | | |
| 35 | | | | | |
| 36 | | | | | |
| 37 | | | | | |
| 38 | | | | | |
| 39 | | | | | |
| 40 | | | | | |

WHEELER/REX 6790 (N100A) (Carriage <Profiling>)



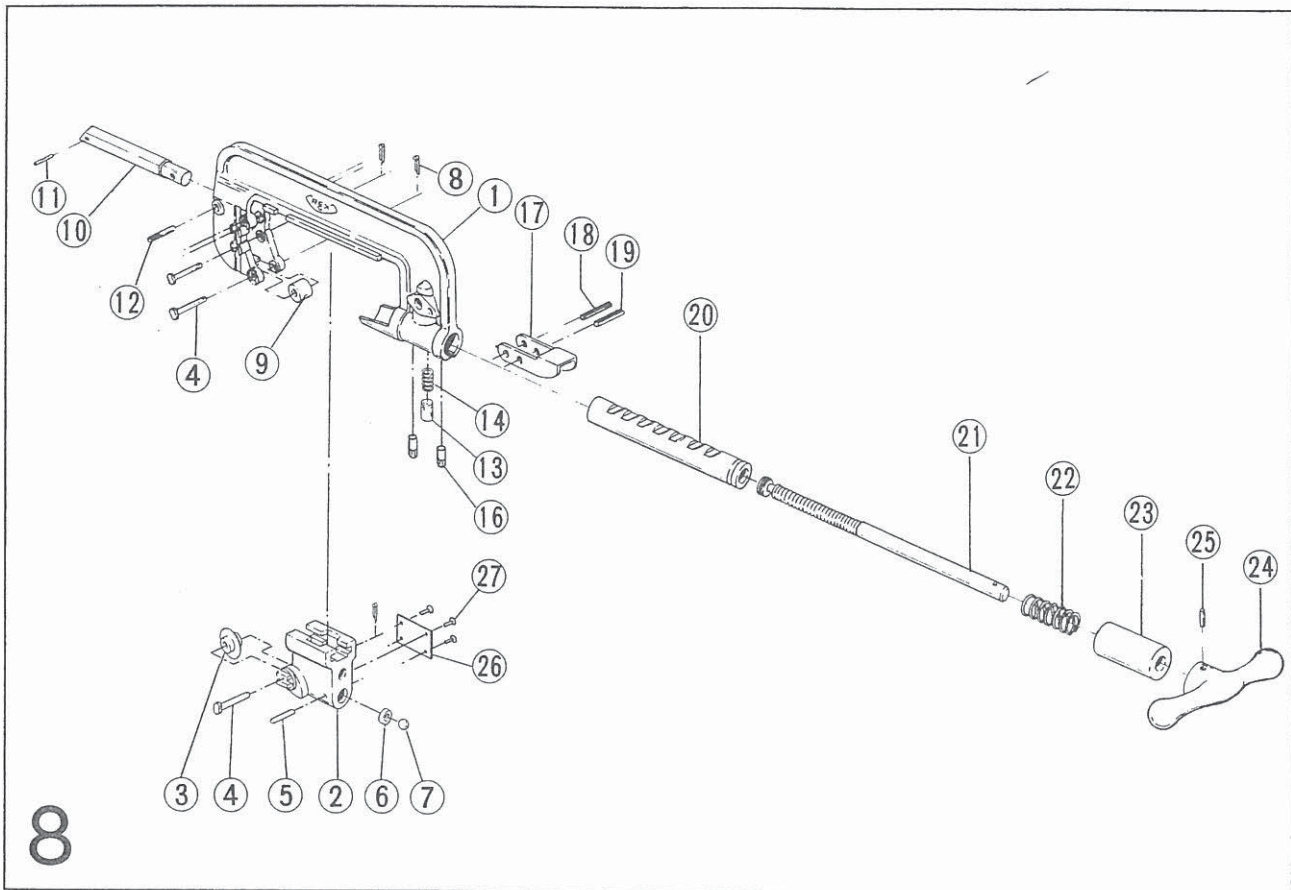
| No. | Part No. (Wheeler) | Part Name | Set | Part No. (REX) | |
|-----|--------------------|---------------------------------|-------|----------------|--|
| 1 | 6 0 3 5 6 8 | Spring support shaft holder A | 1 | J 1 1 6 | |
| 2 | 6 0 0 4 8 6 | Socket head cap screw (M6×16) | 3 | W062 | |
| 3 | 6 0 0 5 1 6 | Roll pin (φ4×20) | 3 | WL46 | 6590 |
| 4 | 6 0 3 5 6 9 | Profiling board | 1 | J 1 1 5 | |
| 5 | 6 0 0 4 3 2 | Round head machine screw (M5×6) | 1 | W250 | 6590 |
| 6 | 6 0 3 5 7 0 | Profiling cover A | 1 | J 1 2 1 | |
| 7 | 6 0 3 5 7 1 | Profiling cover B | 1 | J 1 2 2 | |
| 8 | 6 0 0 4 7 2 | Socket head cap screw (M8×10) | 1 | W084 | 6590 |
| 9 | 6 0 0 2 4 6 | Flat Washer (M8×18×1.6) | 1 | W182 | 6590 |
| 10 | 6 0 3 5 7 2 | Spring support shaft | 1 | J 1 2 3 | |
| 11 | 6 0 3 5 7 3 | Spring | 1 | J 1 4 9 | |
| 12 | 6 0 3 5 7 4 | Spring support shaft holder B | 1 | J 1 1 7 | Set Size stopper pin (J120) |
| 13 | 6 0 3 5 7 5 | Size adjustment shaft | 1 | J 1 1 9 | |
| 14 | 6 0 3 5 7 6 | Spring | 1 | J 1 5 0 | |
| 15 | 6 0 3 5 7 7 | Size plate | 1 | J 1 2 4 | |
| 16 | 6 0 3 5 7 8 | Size plate cover | 1 | J 1 3 5 | |
| 17 | 6 0 3 5 7 9 | Socket head cap screw (4") | 1 | J 2 3 9 | |
| | 6 0 3 5 8 0 | Socket head cap screw (3½") | 1 | J 2 3 1 | 603679 Profiling block assembly (0JSA3S) |
| | 6 0 3 5 8 1 | Socket head cap screw (3") | 1 | J 2 4 1 | |
| | 6 0 3 5 8 2 | Socket head cap screw (2½") | 1 | J 2 4 2 | |
| 18 | 6 0 3 5 8 3 | Spring | 1 | J 1 5 1 | |
| 19 | 6 0 3 5 8 4 | Wave washer (φ12) | 2 | WH12 | 6590 |
| 20 | 6 0 3 5 8 5 | Stop collar | 1 | J 1 2 6 | 6590 |
| 21 | | | | | |
| 22 | | | | | |
| 23 | 6 0 0 2 8 3 | Complete profiling assembly | 1 Set | 0JNA3T | |
| 24 | | | | | |
| 25 | | | | | |
| 26 | | | | | |
| 27 | | | | | |
| 28 | | | | | |
| 29 | | | | | |
| 30 | | | | | |
| 31 | | | | | |
| 32 | | | | | |
| 33 | | | | | |
| 34 | | | | | |
| 35 | | | | | |
| 36 | | | | | |
| 37 | | | | | |

WHEELER/REX 6790 (N100A) (Carriage)



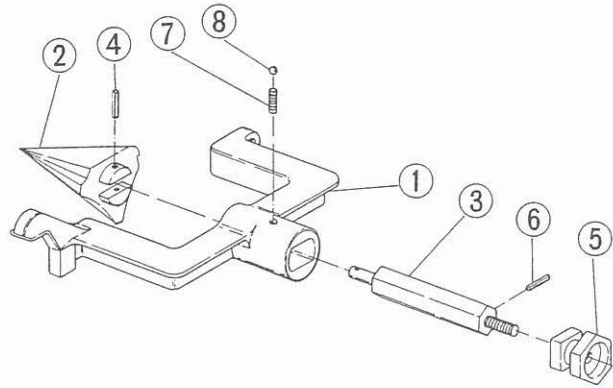
| No. | Part No. (Wheeler) | Part Name | Set | Part No. (REX) | |
|-----|-----------------------|---|-----|-------------------|---|
| 1 | 603586 | Carriage | 1 | J110 | |
| 2 | 603587 | Carriage support bar A | 1 | J111 | |
| 3 | 603588 | Carriage support bar B | 1 | J112 | |
| 4 | 603589 | Carriage support collar | 1 | 7911 | |
| 5 | 603590 | Carriage support bar B cap | 1 | J148 | |
| 6 | 603591 | Die head holder | 1 | J113 | |
| 7 | 603592 | Die head holder shaft | 1 | J114 | |
| 8 | 600483 | Roll pin ($\phi 5 \times 12$) | 1 | WL51 | |
| 9 | | Oil joint pin | 1 | 1036 | |
| 10 | 600434 | Spring | 2 | E140 | 6590 |
| 11 | 603594 | Open plate | 1 | J145 | |
| 12 | 603595 | Oil flow selector plate | 1 | J155 | |
| 13 | 600621 | Rivet (#4x5) | 4 | WN34 | |
| 14 | 609018 | Feed gear stop ring | 1 | 9018 | 6490,6590 |
| 15 | 600341 | Round head machine screw (M5x30) | 1 | W256 | 6490,6590 |
| 16 | 600810 | Wave washer ($\phi 20$) | 1 | WH20 | 6190,6490,6590 |
| 17 | 607515 | Carriage feed gear | 1 | A515 | 6190,6590 |
| 18 | 607517 | Carriage handle | 1 | A517 | Set 607516 Feed gear shaft (A516) 6490,6590 |
| 19 | 607109 | Die head stop pin | 1 | A109 | 6490,6590 |
| 20 | 607115 | Spring | 1 | A115 | 6590 |
| 21 | 603596 | Knob pin bush S | 1 | J147 | |
| 22 | 603597 | Knob pin bush | 1 | J139 | |
| 23 | 607110 | Die head stop pin cover | 1 | A110 | 6490,6590 |
| 24 | 603598 | Die head lock knob | 1 | J136 | |
| 25 | 603599 | Hemi-spherical washer ($\phi 5$) | 1 | J137 | |
| 26 | 603600 | Socket head-cap screw (M5x60) | 1 | W05B | |
| 27 | | | | | |
| 28 | 600213 | Pipe band (10mm) | 1 | ZJ50 | |
| 29 | 601035 | Oil joint | 1 | 1035 | 6590 |
| 30 | 603601 | Oil pipe (Large) | 1 | J140 | |
| 31 | | | | | |
| 32 | 603602 | Spring | 1 | T050 | |
| 33 | 600169 | Hex-socket set screw (Cup point M10x10) | 1 | W702 | |
| 34 | | | | | |
| 35 | 606488 | Ball plunger ($\phi 10$) | 1 | G861 | |
| 36 | 603603 | Roll pin ($\phi 5 \times 45$) | 2 | WL59 | |
| 37 | 603604 | Oil pipe (Smool) | 1 | J142 | |
| 38 | 603605 | Oil pipe connector | 1 | J141 | |
| 39 | 603606 | Hex-socket set screw (cone M6x25) | 2 | W667 | |
| 40 | 600811 | Jam nut (M6) | 2 | WD06 | |
| 41 | 609045 | Reamer arm stop pin | 1 | 1096 | 6090,6390 |
| 42 | 603607 | Oil flow selector shaft | 1 | J143 | Set O-ring ($\phi 12$) |
| 43 | 603608 | Oil flow selector lever | 1 | J144 | |
| 44 | 600207 | Roll pin ($\phi 3 \times 18$) | 1 | WL36 | |
| 45 | 603609 | Cutter arm | 1 | J162 | |
| 46 | 603610 | Cutter arm stop pin | 1 | J166 | |
| 47 | | | | | |
| 48 | | | | | |
| 49 | | | | | |
| 50 | | | | | |
| 51 | | | | | |
| 52 | | | | | |
| 53 | | | | | |
| 54 | | | | | |
| 55 | | | | | |
| 56 | | | | | |
| 57 | | | | | |
| 58 | | | | | |
| 59 | | | | | |
| 60 | | | | | |
| 61 | | | | | |
| 62 | | | | | |
| 63 | | | | | |
| 64 | | | | | |
| 65 | | | | | |
| 66 | | | | | |
| 67 | | | | | |
| 68 | | | | | |
| 69 | | | | | |
| 70 | | | | | |
| 71 | | | | | |
| 72 | | | | | |

WHEELER/REX 6790 (N100A) (Cutter)



| No. | Part No. (Wheeler) | Part Name | Set | Part No. (REX) | |
|-----|--------------------|----------------------|-------|----------------|----------------|
| 1 | 6 0 3 6 1 1 | Cutter frame | 1 | J 1 6 0 | |
| 2 | 6 0 3 6 1 2 | Cutter guide | 1 | J 1 6 1 | |
| 3 | 6 0 3 2 4 | Cutter wheel | 1 | E 2 2 6 | 6490 |
| 4 | 6 0 0 6 7 0 | Cutter pin L | 5 | E 2 2 5 | 6490 |
| 5 | 6 0 0 4 8 7 | Roll pin | 1 | WL56 | |
| 6 | 6 0 3 6 1 3 | Thrust roller | 1 | J 1 6 4 | |
| 7 | 6 0 3 6 1 4 | Steel ball | 1 | WQ10 | |
| 8 | 6 0 0 1 7 1 | Spring cotter | 5 | WN12 | 6390,6490,6590 |
| 9 | 6 0 5 0 7 4 | Cutter roller | 4 | 5 0 7 4 | 6390,6490,6590 |
| 10 | 6 0 3 6 1 5 | Cutter arm shaft | 1 | J 1 6 5 | |
| 11 | 6 0 3 6 1 6 | Roll pin | 1 | WL57 | |
| 12 | 6 0 9 0 2 7 | Cutter guide pin | 1 | 9 0 2 7 | |
| 13 | 6 0 3 6 1 8 | Adjustment pin | 1 | J 1 7 0 | 6090 |
| 14 | 6 0 3 6 1 9 | Spring | 1 | J 1 7 4 | |
| 15 | | | | | |
| 16 | 6 0 0 4 8 3 | Pin | 2 | J 1 7 5 | |
| 17 | 6 0 3 6 2 1 | Open lever | 1 | J 1 7 1 | |
| 18 | 6 0 0 1 7 4 | Roll pin | 1 | WL69 | |
| 19 | 6 0 0 4 8 2 | Roll pin | 1 | WL87 | |
| 20 | 6 0 3 6 2 2 | Feed holder | 1 | J 1 6 8 | |
| 21 | 6 0 3 6 2 3 | Feed screw | 1 | J 1 6 3 | |
| 22 | 6 0 3 6 2 4 | Spring | 1 | J 1 7 3 | |
| 23 | 6 0 3 6 2 5 | Stop cap | 1 | J 1 6 9 | |
| 24 | 6 0 3 6 2 6 | Cutter handle | 1 | E 2 0 5 | 6590 |
| 25 | 6 0 3 6 2 7 | Roll pin | 1 | WL68 | 6490,6590 |
| 26 | 6 0 3 6 2 8 | Cutter caution plate | 1 | - | |
| 27 | 6 0 0 1 4 3 | Rivet | 4 | WN32 | |
| 28 | | | | | |
| 29 | | | | | |
| 30 | 6 0 3 6 8 0 | Complete cutter | 1 Set | 0JCU1S | |
| 31 | | | | | |
| 32 | | | | | |
| 33 | | | | | |
| 34 | | | | | |
| 35 | | | | | |
| 36 | | | | | |
| 37 | | | | | |
| 38 | | | | | |
| 39 | | | | | |
| 40 | | | | | |

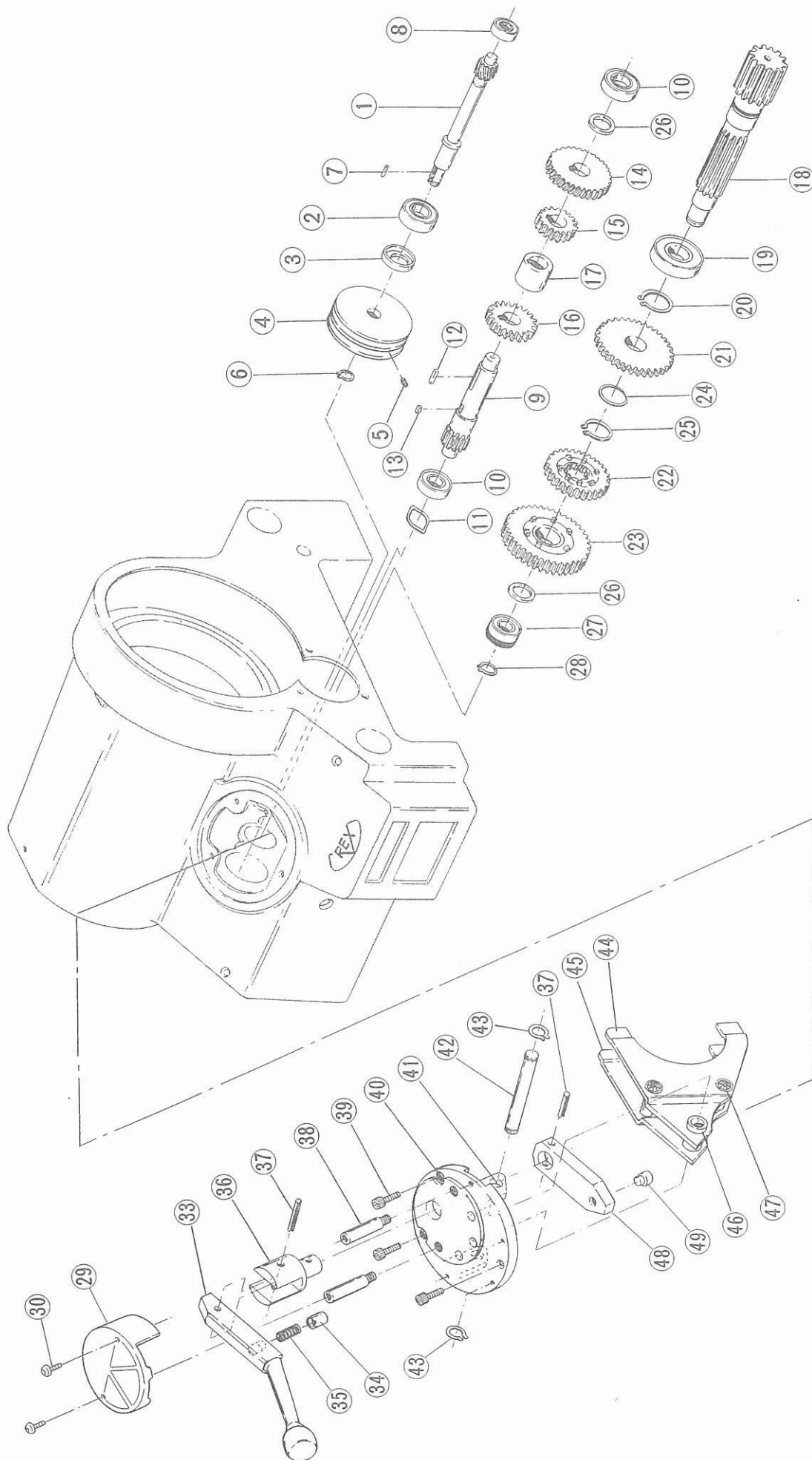
WHEELER/REX 6790 (N100A) (Reamer)



9

| No. | Part No. (Wheeler) | Part Name | Set | Part No. (REX) |
|-----|-----------------------|---------------------|-------|-------------------|
| 1 | 6 0 3 6 2 9 | Reamer arm | 1 | A 5 2 1 |
| 2 | 6 0 3 0 3 | Reamer cone | 1 | A 5 2 2 |
| 3 | 6 0 7 2 5 3 | Reamer shaft | 1 | A 2 5 3 |
| 4 | 6 0 0 2 2 9 | Roll pin (φ8×50) | 1 | WL88 |
| 5 | 6 0 1 0 9 4 | Reamer knob | 1 | 1094 |
| 6 | 6 0 0 1 2 7 | Roll pin (φ4×10) | 1 | WL41 |
| 7 | 6 0 0 2 2 4 | Spring (φ8×10) | 1 | 5096 |
| 8 | 6 0 0 1 6 8 | Steel ball (φ8) | 1 | WQ08 |
| 9 | | | | |
| 10 | | | | |
| 11 | 6 0 3 6 8 1 | Complete reamer | 1 Set | 0JRM1S |
| 12 | | | | |
| 13 | | | | |
| 14 | | | | |
| 15 | | | | |
| 16 | | | | |
| 17 | | | | |
| 18 | | | | |
| 19 | | | | |
| 20 | | | | |
| 21 | | | | |
| 22 | | | | |
| 23 | | | | |
| 24 | | | | |
| 25 | | | | |
| 26 | | | | |
| 27 | | | | |
| 28 | | | | |
| 29 | | | | |
| 30 | | | | |
| 31 | | | | |
| 32 | | | | |
| 33 | | | | |
| 34 | | | | |
| 35 | | | | |
| 36 | | | | |
| 37 | | | | |
| 38 | | | | |
| 39 | | | | |
| 40 | | | | |

WHEELER/REX 6790 (N100A) (Gear case)



| No. | Part No. (Wheeler) | Part Name | Set | Part No. (REX) | |
|-----|-----------------------|--------------------------------------|-----|-------------------|---------------------|
| 1 | 6 0 3 6 3 0 | A shaft | 1 | J 1 8 0 | |
| 2 | 6 0 7 1 9 2 | Bearing (#6205LL) | 1 | A 1 9 2 | 6490, 6590 |
| 3 | 6 0 3 6 3 1 | Oil seal (TCV254511) | 1 | J 3 1 0 | |
| 4 | 6 0 3 6 3 2 | Mission pulley | 1 | 4926 | |
| 5 | 6 0 0 6 6 9 | Hex-socket set screw (M8×12) | 1 | W78B | |
| 6 | 6 0 0 6 7 9 | Snap ring (out side φ18) | 1 | WW18 | |
| 7 | 6 0 0 4 8 4 | Key (5×5×20) | 1 | WR55 | |
| 8 | 6 0 3 6 3 3 | Bearing (#6202LL) | 1 | H 2 7 2 | 6390 |
| 9 | 6 0 3 6 3 4 | B shaft | 1 | J 1 8 1 | |
| 10 | 6 0 7 1 9 1 | Bearing (#6004LL) | 2 | A 1 9 1 | 6490, 6590 |
| 11 | 6 0 0 8 1 0 | Wave washer (BWW6203) | 1 | WH20 | |
| 12 | 6 0 3 6 3 5 | Key (8×7×22) | 1 | WR82 | |
| 13 | 6 0 3 6 3 6 | Key (8×7×12) | 1 | WS83 | |
| 14 | 6 0 3 6 3 7 | B shaft gear A | 1 | J 1 8 2 | |
| 15 | 6 0 0 6 3 8 | B shaft gear B | 1 | J 1 8 3 | |
| 16 | 6 0 3 6 3 9 | B shaft gear C | 1 | J 1 8 4 | |
| 17 | 6 0 3 6 4 0 | B shaft collar | 1 | J 1 9 2 | |
| 18 | 6 0 3 6 4 1 | C shaft | 1 | J 1 8 5 | |
| 19 | 6 0 3 6 4 2 | Bearing (#6007LLU) | 1 | J 3 0 2 | |
| 20 | 6 0 3 6 4 3 | Snap ring (out side φ35) | 1 | WW35 | |
| 21 | 6 0 3 6 4 4 | C shaft gear A | 1 | J 1 8 6 | |
| 22 | 6 0 3 6 4 5 | C shaft gear B | 1 | J 1 8 7 | |
| 23 | 6 0 3 6 4 6 | C shaft gear C | 1 | J 1 8 8 | |
| 24 | 6 0 3 6 4 7 | C shaft collar (Smool) | 1 | J 1 9 4 | |
| 25 | 6 0 3 6 4 8 | Snap ring (out side φ30) | 1 | WW30 | |
| 26 | 6 0 3 6 4 9 | C shaft collar (Large) | 2 | J 1 9 3 | |
| 27 | 6 0 3 6 5 0 | Bearing (#6204ZNR) | 1 | J 3 0 1 | |
| 28 | 6 0 0 6 6 4 | Snap ring (out side φ20) | 1 | WW20 | |
| 29 | 6 0 3 6 6 5 | Speed change cap | 1 | J 2 0 1 | |
| 30 | 6 0 3 6 6 6 | Socket button head cap screw (M6×15) | 2 | WA27 | |
| 31 | | | | | |
| 32 | | | | | |
| 33 | 6 0 3 6 6 8 | Speed change lever | 1 | J 2 0 2 | |
| 34 | 6 0 3 6 6 9 | Notch pin | 1 | J 2 0 3 | |
| 35 | 6 0 3 6 7 0 | Spring | 1 | J 2 1 6 | |
| 36 | 6 0 3 6 7 1 | Speed change shaft | 1 | J 2 0 4 | |
| 37 | 6 0 0 3 4 4 | Roll pin (φ6×30) | 2 | WL66 | |
| 38 | 6 0 3 6 7 2 | Stud bolt | 2 | J 2 1 5 | |
| 39 | 6 0 0 1 3 1 | Socket head cap screw (M6×16) | 3 | W062 | |
| 40 | | Speed change cover | 1 | J 2 0 0 | } 603673 Set (J220) |
| 41 | | Speed change guide | 1 | J 2 0 6 | |
| 42 | 6 0 3 6 7 4 | Guide pin | 1 | J 2 0 7 | |
| 43 | 6 0 3 6 7 5 | Snap ring (out side φ10) | 2 | WW10 | |
| 44 | | Gear shift fork A | 1 | J 2 0 9 | } 603676 Set (J221) |
| 45 | | Gear shift fork B | 1 | J 2 1 0 | |
| 46 | | Shift pin A | 1 | J 2 1 1 | |
| 47 | | Shift pin B | 2 | J 2 1 2 | |
| 48 | 6 0 3 6 7 7 | Fork lever | 1 | J 2 0 5 | |
| 49 | 6 0 3 6 7 8 | Fork lever pin | 1 | J 2 0 8 | |
| 50 | | | | | |
| 51 | | | | | |
| 52 | | | | | |
| 53 | | | | | |
| 54 | | | | | |
| 55 | | | | | |
| 56 | | | | | |
| 57 | | | | | |
| 58 | | | | | |
| 59 | | | | | |
| 60 | | | | | |
| 61 | | | | | |
| 62 | | | | | |
| 63 | | | | | |
| 64 | | | | | |
| 65 | | | | | |
| 66 | | | | | |
| 67 | | | | | |
| 68 | | | | | |
| 69 | | | | | |
| 70 | | | | | |
| 71 | | | | | |
| 72 | | | | | |



WHEELER MANUFACTURING

Div. of REX International U.S.A., Inc.:

P.O.Box 688 · 3744 Jefferson Road · Ashtabula, Oh 44005

Ph:440 - 998 - 2788 · Fax.: 440 - 992 - 2925

Toll Free: 1 - 800 - 321 - 7950

Web Site: www.wheelerrex.com

Manufacturer:

REX

www.rexind.co.jp

REX INDUSTRIES CO., LTD.

| |
|-------------|
| 4A400-W3 |
| 6790(N100A) |
| 1708D 0050 |